

# QUINTANA

Bar/Prep Sink

KCBS17



THOMPSON

## FEATURES

- Part of the Quintana Collection by Kara Cox
- Handcrafted in brass
- Finished in Burnished Nickel and Satin Brass
- Sealed Finish (previously known as a Lifetime Finish)
- Available in custom sizes
- Easy to clean and maintain
- Rigorously tested to ensure no puddling or leaking
- Coordinating drain available
- Limited Lifetime Warranty

## DIMENSIONS & WEIGHT

- 17" Round x 8" Deep
- Drain Size 3.5"
- Weight 12 lbs

## MATERIALS/FINISHES

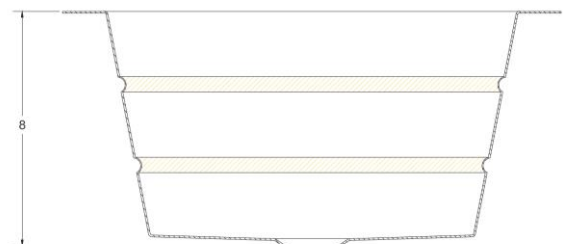
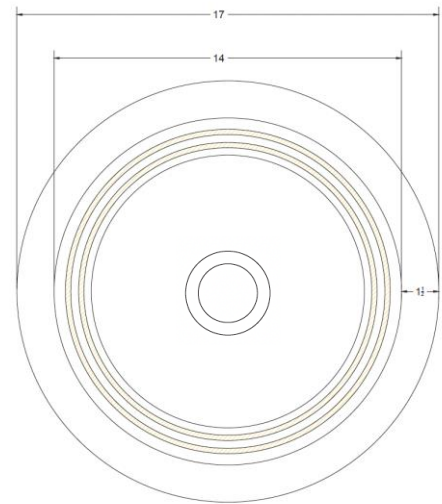
*Images intended for reference only:*



Burnished Nickel  
Item Code: KCBS17



Satin Brass  
Item Code: KCBS17



Contact us at [customerservice@thompsontraders.com](mailto:customerservice@thompsontraders.com) or (336) 272-3003.

Thompson reserves the right to make revisions without notice to product specifications.

For the most current Specification Sheet, go to [www.thompsontraders.com](http://www.thompsontraders.com)