

Rivera Antique Copper II

Rivera II Bar/Prep and Kitchen Sinks
NS25033H



THOMPSON

FEATURES

- Handcrafted, Rectangular hand hammered design with unique artisan detailing that adds texture and character to any space
- Rigorously tested to ensure no puddling or leaking
- Coordinating drain available, sold separately
- Base Material: 14 Gauge Copper
- Finish Profile: Evolved (To learn more about the sink's finish, as well as care and maintenance recommendations, please refer to our [Finish Guide](#))
- Easy to clean and maintain
- Limited Lifetime Warranty crafted for quality and backed for life



DIMENSIONS & WEIGHT

Outer Dimensions

- Length: 21 1/2"
- Width: 19 1/2"
- Depth: 10"

Inner Dimensions / Bowl Area

- Length: 18"
- Width: 16"
- Depth: 10"
- Drain 3 1/2"
- Sink Weight: n/a
- Shipping Weight: n/a

MOUNTING OPTIONS

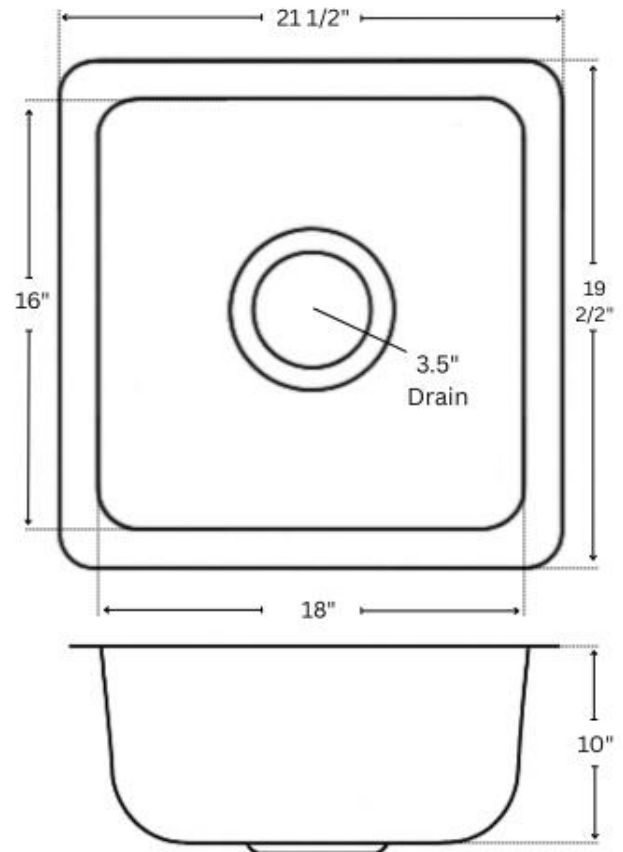
- Drop-In
- Undermount

OVERFLOW

- No overflow

MINIMUM BASE CABINET WIDTH

- 2" the width of the sink intended for proper support



Note: Due to the handcrafted nature of this product, it will vary in finish, texture, hammering, and other details. Dimensions may vary up to 1/4" (6mm). We strongly recommend waiting for the actual product before making any installation cuts.

Contact us at customerservice@thompsontraders.com or (336) 272-3003.

Thompson reserves the right to make revisions without notice to product specifications.

For the most current Specification Sheet, go to www.thompsontraders.com