

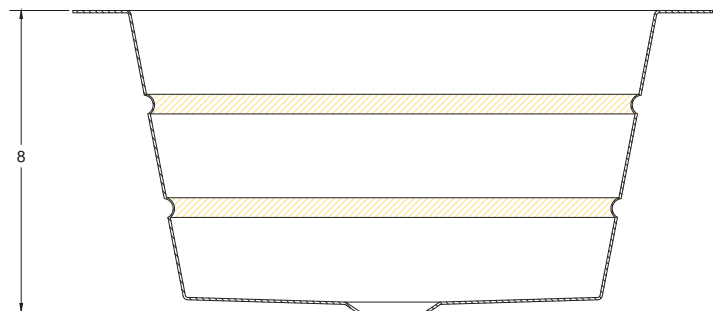
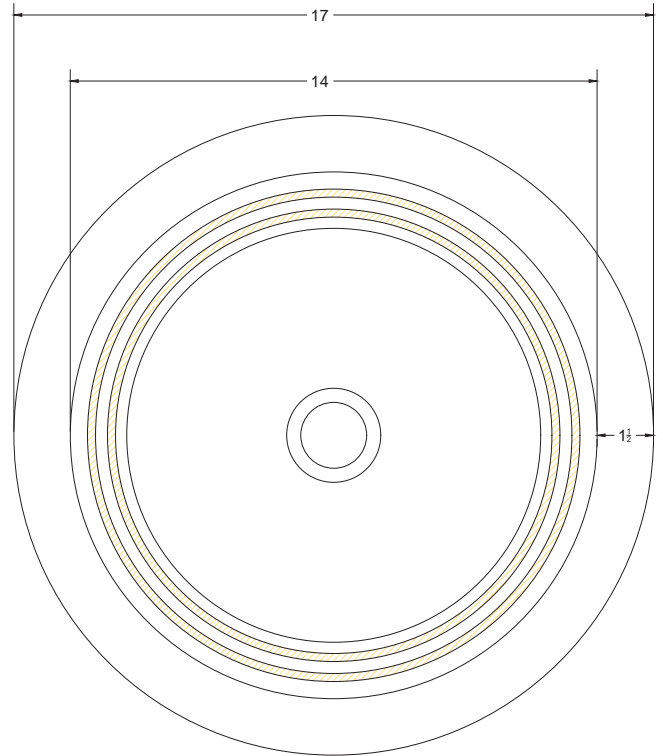


THOMPSON
TRADERS

Quintana Bar/Prep

Item: KCBS17

- Handcrafted Copper and Brass in Burnished Nickel and Satin Brass
- Satin Brass is a Living Finish and Burnished Nickel is a Lifetime Finish
- Available in Custom Sizes
- Easy to Clean and Maintain
- Limited Lifetime Warranty
- Comes with Coordinating Drain
- Dimensions: 17" round x 8" depth



Thompson Traders, Inc.
P.O. Box 7407, Greensboro, N.C. 27417
Ph: 336.272.3003
customerservice@thompsontraders.com
www.thompsontraders.com