

Tonala Tonala Argyle

(Formally Argyle Diego)



THOMPSON
TRADERS

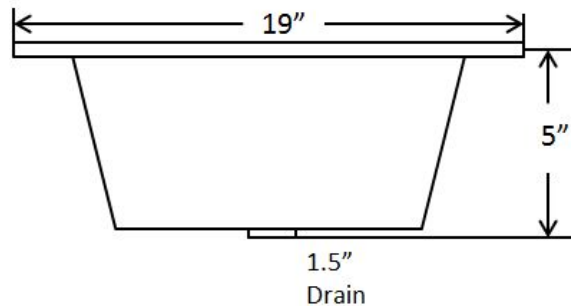
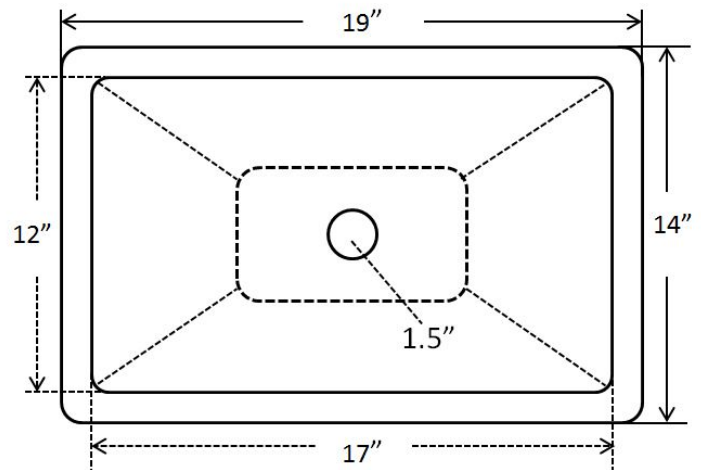
Item: BPU-1914PQ

- Rectangular hand hammered antique satin gold 18 gauge
- Easy to clean and maintain
- Sound dampening panels and coating to reduce noise
- Rigorously tested to ensure no puddling or leaking
- Coordinating drain available
- Limited Lifetime Warranty

Dimensions:

Outer 19" x 14", 5" depth

Inner 17" x 12", 5" depth



For more information scan our QR code.

- iPhone open camera and hover over code click on pop-up and it will redirect you
- Android download QR app Lighting QR and follow instructions



True to the spirit of our ancestry we bring the allure of copper, home.
With all of our heart.

www.thompsontraders.com