

Tonala

Tonala Antique Satin Gold

(Formally Antique Satin Gold Diego)

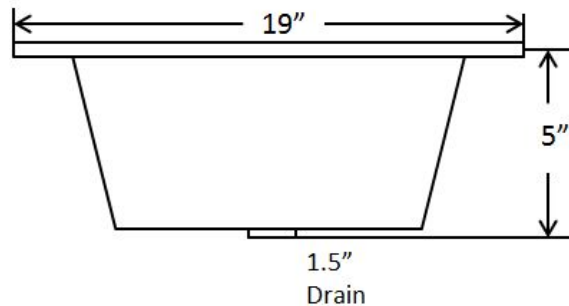
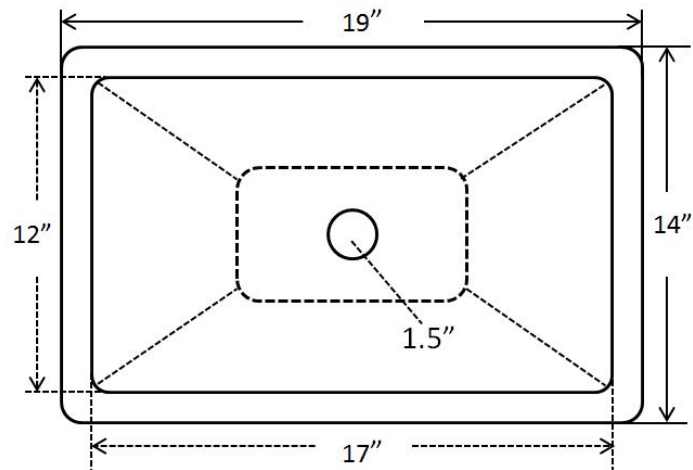


THOMPSON
TRADERS

Item: BPU-1914ASG

- Rectangular hand hammered antique satin gold 18 gauge
- Easy to clean and maintain
- Sound dampening panels and coating to reduce noise
- Rigorously tested to ensure no puddling or leaking
- Coordinating drain available
- Limited Lifetime Warranty

Dimensions:
Outer 19" x 14", 5" depth
Inner 17" x 12", 5" depth



For more information scan our QR code.
• iPhone open camera and hover over code click on pop-up and it will redirect you
• Android download QR app Lighting QR and follow instructions



True to the spirit of our ancestry we bring the allure of copper, home.
With all of our heart.

www.thompsontraders.com